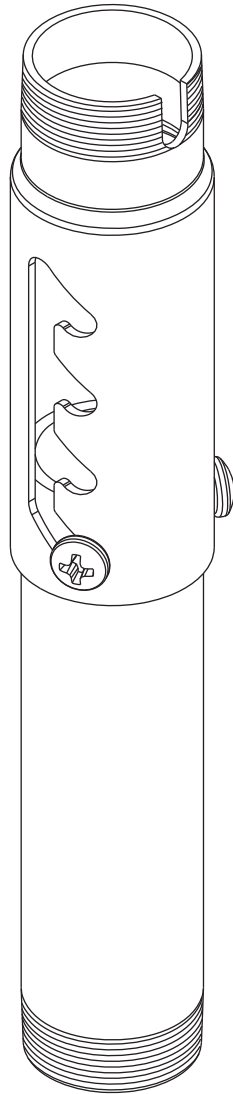


Installation and Assembly: Adjustable Extension Column (Pipe) 8" - 11"

Model: ELPMBC01



This product is UL Listed. It must be installed by a qualified professional installer.



Maximum UL Load Capacity: 500 lb (227 kg)

NOTE: Read entire instruction sheet before you start installation and assembly.

WARNING

- Do not begin to install your product until you have read and understood the instructions and warnings contained in this Installation Sheet. If you have any questions regarding any of the instructions or warnings, call Peerless customer care at 1-800-729-0307.
- This product should only be installed by someone of good mechanical aptitude, has experience with basic building construction, and fully understands these instructions.
- Make sure that the supporting surface will safely support the combined load of the equipment and all attached hardware and components.
- Never exceed the Maximum UL Load Capacity.
- Always use an assistant or mechanical lifting equipment to safely lift and position equipment.
- Tighten screws firmly, but do not overtighten. Overtightening can damage the items, greatly reducing their holding power. See suggested torque values where applicable within these instructions.
- This product is intended for indoor use only. Use of this product outdoors could lead to product failure and personal injury.
- When installing or adjusting the ceiling mount, do not use adhesives, lubricants, or oils to prevent the screws from loosening. If you use adhesives, lubricants, or oils to prevent the screws from loosening, the casing may crack and the projector may fall, causing serious injury and damage to the projector.

Tools Needed for Assembly

- phillips screwdriver

Table of Contents

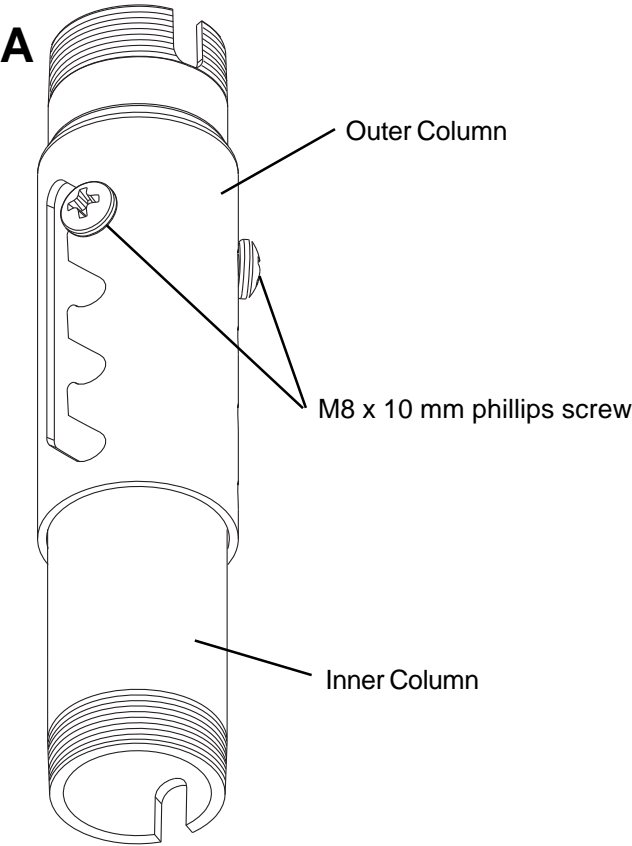
Parts List	3
Installation to Ceiling Plate	4
Adjustment of Extension Column	5
Warranty	6

Before you start check the parts list to ensure all of the parts shown are included.

Parts List

Description	Qty.	Part Number
A extension column	1	154-2093

NOTE: Actual parts may appear slightly different than illustrated.



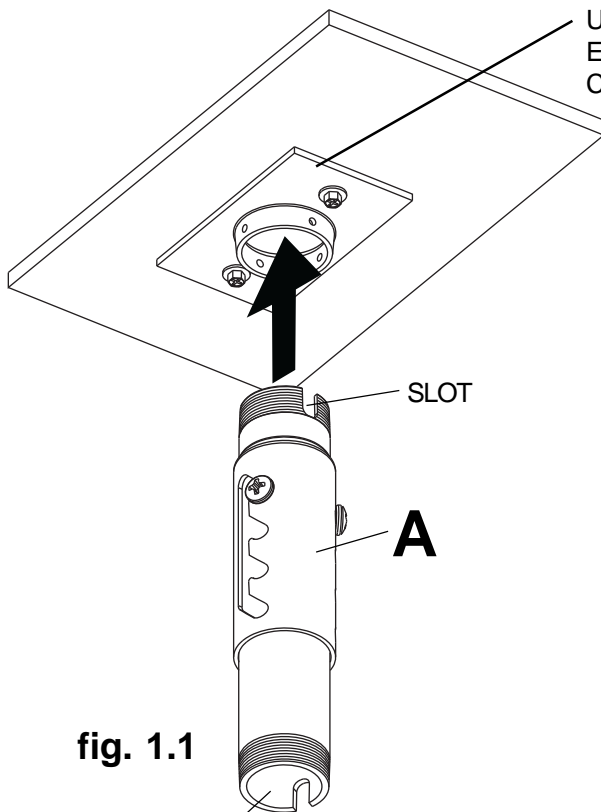
Installation to Ceiling Plate

⚠ WARNING

- Installer must verify that the supporting surface will safely support four times the combined weight of all attached equipment and hardware.
- Extension column (A) must be fully threaded (six or seven full turns) onto threaded fitting in ceiling plate and then locked with M5 x 10 mm screw (not included).

1 Screw extension column to ceiling plate (not included) as shown in fig. 1.1. Align the slot with one of the four holes in the ceiling plate (not included) and secure extension column with a M5 x 10 mm screw (not included) as shown in fig. 1.2 and detail 1.

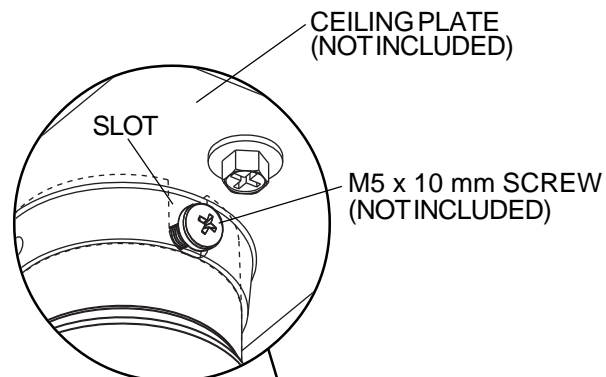
***NOTE:** Slotted set screws (not included) are used to jam against the threads of each connecting joint to prevent any excess movement. Do not overtighten screws; overtightening screws will damage threads making it difficult to separate the products.



UL LISTED ELPMBP01, ELPMBP02,
ELPMBP03 AND CMJ OR ACC SERIES
CEILING MOUNTS (SOLD SEPARATELY)

fig. 1.1

PROJECTOR MOUNT (NOT SHOWN)
UL LISTED ELPMBPRG, ELPMBPJF AND PRG
OR PJF SERIES (SOLD SEPARATELY)



DETAIL 1

*SET SCREWS
(NOT INCLUDED)

M5 x 10 mm SCREW
(NOT INCLUDED)

fig. 1.2

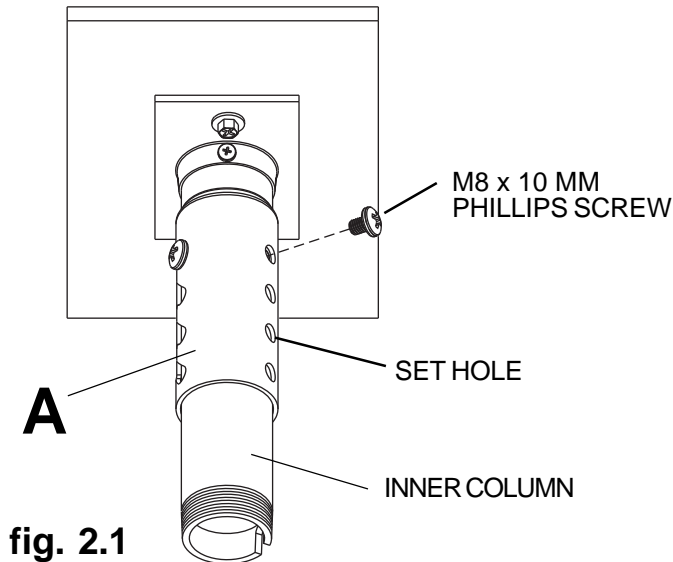
Adjustment of Extension Column

⚠ WARNING

- Extension column (A) must be fully threaded (six or seven full turns) onto threaded fitting in ceiling plate and then locked with M5 x 10 mm screw.

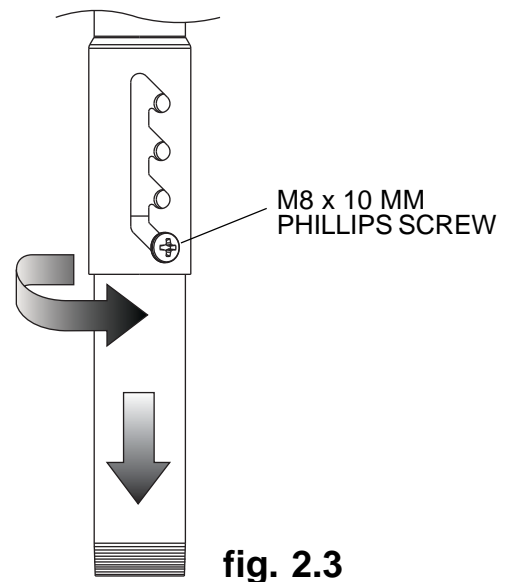
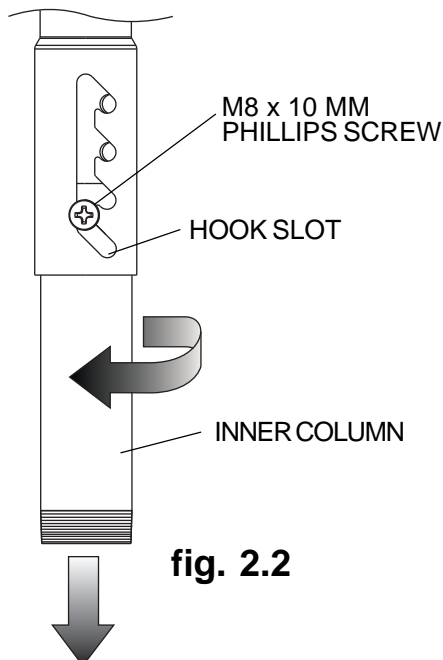
Skip to step 3 if adjustment is not required.

- 2 Remove M8 x 10 mm phillips screw from set hole in extension column (A) as shown in fig. 2.1. Slightly loosen M8 x 10 mm phillips screw in hook slot until inner column is loose. Rotate inner column left and slide down in to desired hook slot as shown in fig. 2.2 and 2.3. Securely tighten M8 x 10 mm phillips screw in hook slot. Fasten M8 x 10 mm phillips screw into set hole and inner column and retighten M8 x 10 mm phillips screw in hook slot as shown in fig. 2.1.



⚠ WARNING

- Do not loosen M8 x 10 mm screw to point of disengagement. Hold inner column securely while adjusting M8 x 10 mm screw. Tighten fasteners securely.



LIMITED FIVE-YEAR WARRANTY

Peerless Industries, Inc. establishes a warranty period of five years for products manufactured or supplied by Peerless. This period commences from the date of sale of the product to the original consumer, but will in no case last for more than six years after the date of the product's manufacture. During the warranty period such products will be free from defects in material and workmanship, provided they are installed and used in compliance with the instructions established by Peerless Industries, Inc. Subject to applicable legal requirements, during the warranty period Peerless will repair or replace, or refund the purchase price of, any such product which fails to conform with this warranty.

Any other warranties prescribed by the law which may apply with respect to such products also are limited in duration to the warranty period specified in this Limited Five-Year Warranty.

This warranty does not cover damage caused by (a) service or repairs by the customer or a person who is not authorized for such service or repairs by Peerless Industries, Inc., (b) the failure to utilize proper packing when returning the product, (c) incorrect installation or the failure to follow Peerless' instructions or warnings when installing, using or storing the product, or (d) misuse or accident, in transit or otherwise, including in cases of third party actions and force majeure.

In no event shall Peerless be liable for incidental or consequential damages or damages arising from the theft of any product, whether or not secured by a security device which may be included with the product.

This Limited Five-Year Warranty is in lieu of all other warranties, expressed or implied, and is the sole remedy with respect to product defects. No retailer, dealer, distributor, installer or other person is authorized to modify or extend this warranty or impose any obligation on Peerless in connection with the sale of any product manufactured or supplied by Peerless.

This warranty gives specific legal rights, and you may also have other rights provided by the national legislation of the country in which you purchased such product.

peerless[®]
www.peerlessmounts.com

© 2007 Peerless Industries, Inc.

ISSUED 03/17/06 LIT-0190E